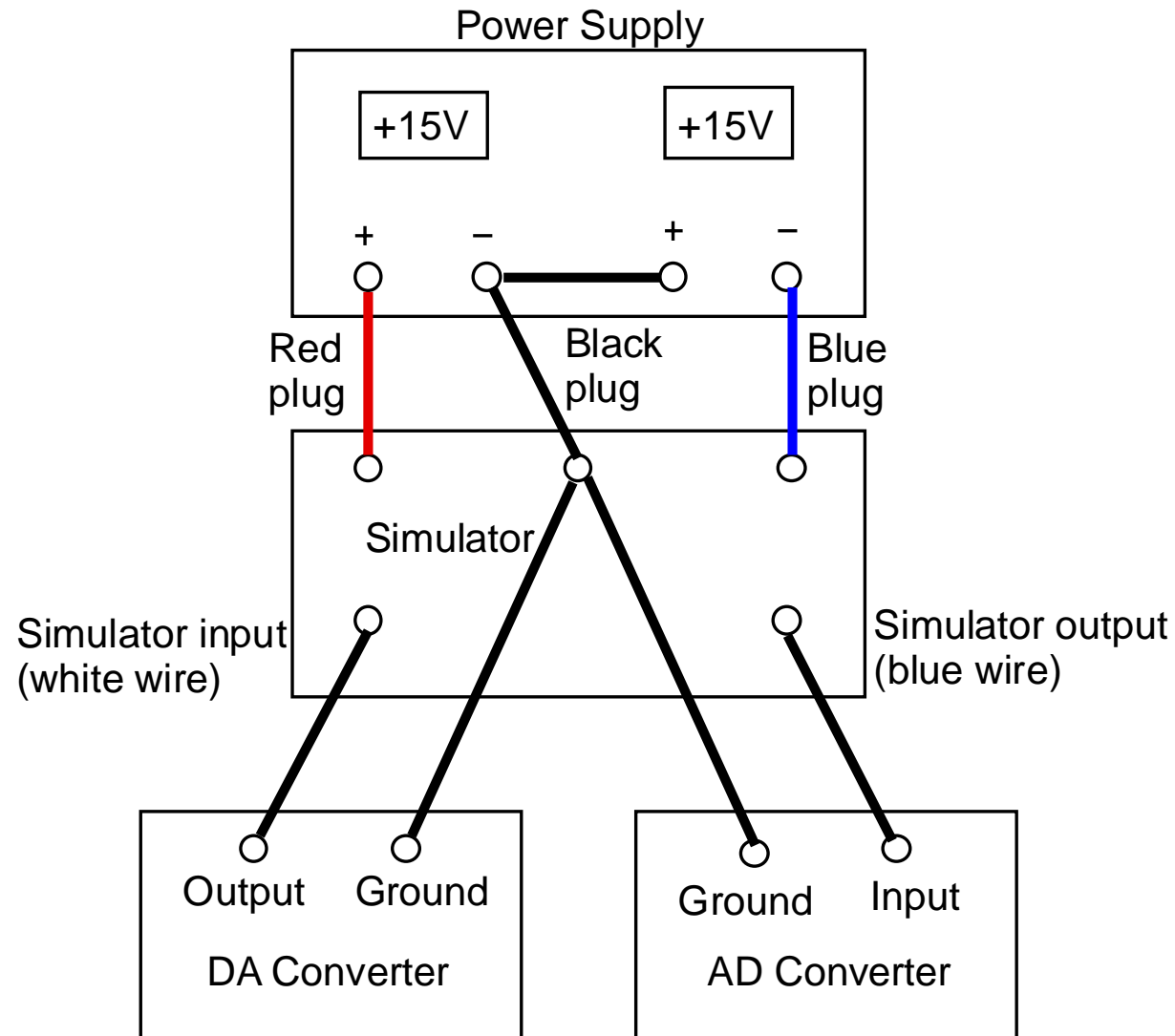


Dynamic Simulator Setup



Step Response

